

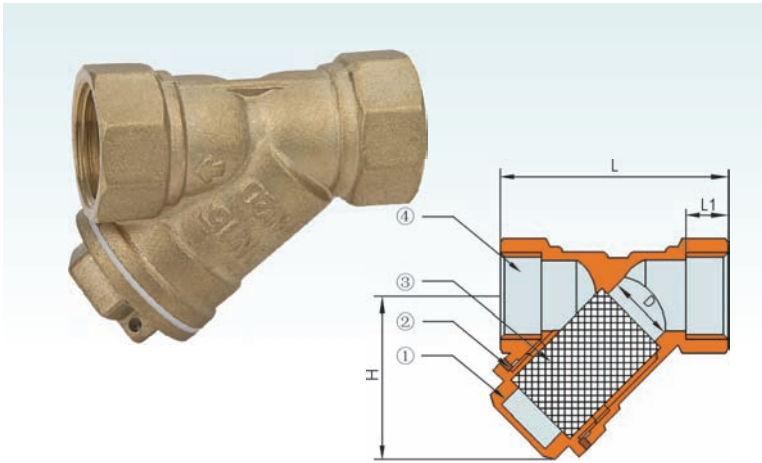


# BRASS FILTER

KANGTAI  
COPPER INDUSTRY



### Art:15001 Brass Filter



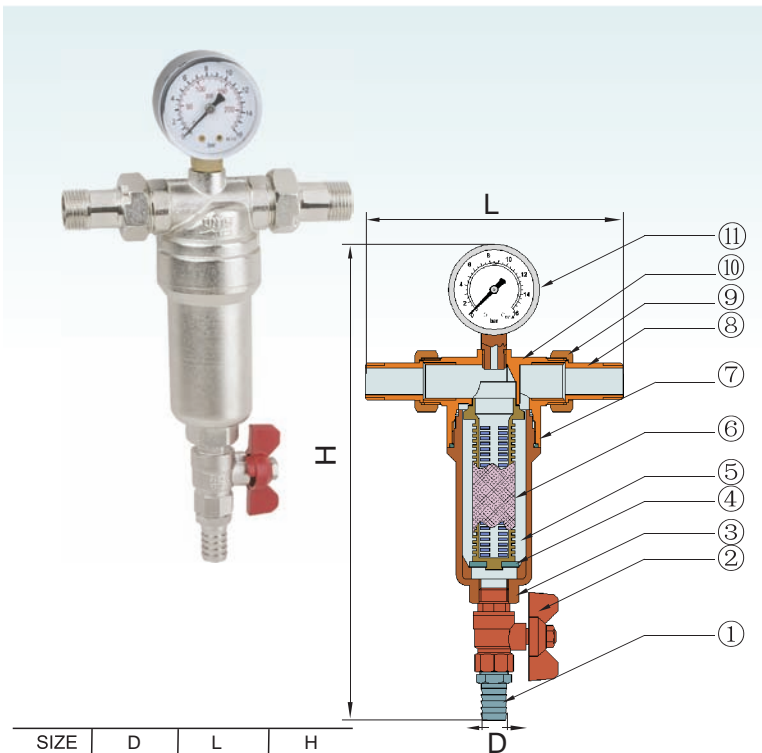
SIZE	DN	D	L	L1	H
1/2	15	∅16	56	12	39
3/4	20	∅18	66	14	44
1	25	∅21	76	16	50
1 1/4	32	∅32	97	16	62
1 1/2	40	∅37	112	19	74
2	50	∅48	126	19	91
2 1/2	65	∅54	141	20	107
3	80	∅58	151	25	115
4	100	∅72	153	25	145

Body: Hot Forged Brass  
 Surface Finish: Shotting  
 Working Pressure: 20BAR (1 BAR = 14.5 PSI)  
 Working Temperature: 0°C to +120°C  
 °C = 5/9 (°F - 32)  
 °F = 32 + 9/5°C  
 Thread: ISO228(BSP)

MATERIAL SPECIFICATION		
No.	COMPONENT	MATERIAL
1	Cover	Brass
2	Seal	PTFE
3	Strainer	Stainless Steel
4	Body	Brass

CODE	SIZE
15001015	1/2"
15001020	3/4"
15001025	1"
15001032	1 1/4"
15001040	1 1/2"
15001050	2"
15001065	2 1/2"
15001080	3"
15001100	4"

### Art:15003 Self Cleaning Filter

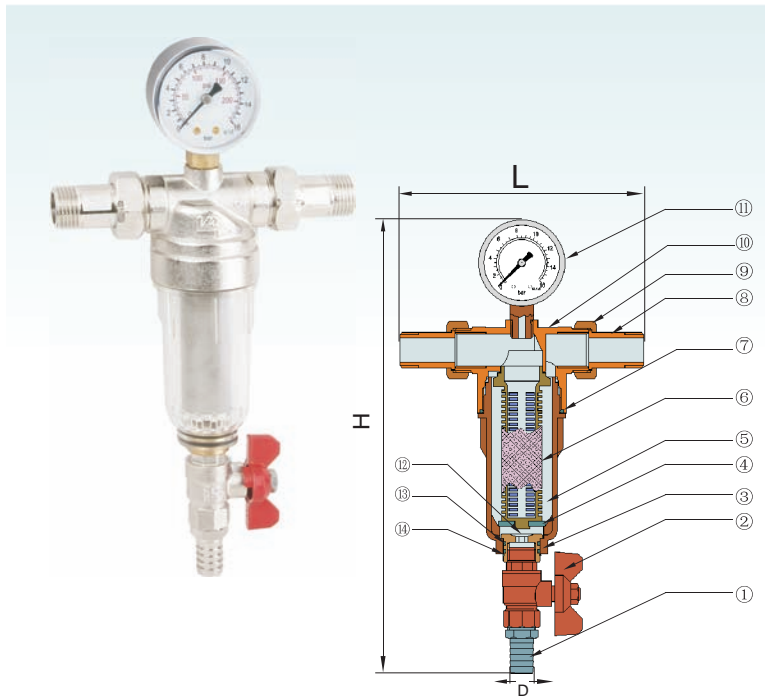


SIZE	D	L	H
1/2"	∅14	146	270

Body: Hot Forged Brass  
 Surface Finish: Nickel-Plated  
 Thread: ISO228(BSP)

CODE	SIZE
15003015	1/2"
15003020	3/4"
15003025	1"

### Art:15004 Self Cleaning Filter



Body: Hot Forged Brass  
 Surface Finish: Nickel-Plated  
 Thread: ISO228(BSP)

SIZE	D	L	H
1/2"	Ø 14	146	270

CODE	SIZE
15004015	1/2"
15004020	3/4"
15004025	1"



VALVE

**KANGTAI COPPER INDUSTRY CO., LTD.**

Tel:+86-576-87220846 87278053

Fax:+86-576-87278000

[Http://www.kangtai-valve.com](http://www.kangtai-valve.com)

E-mail:trade@kangtai-valve.com

